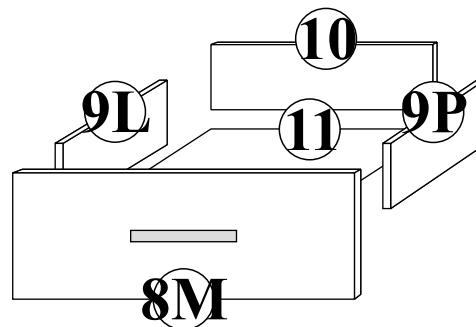
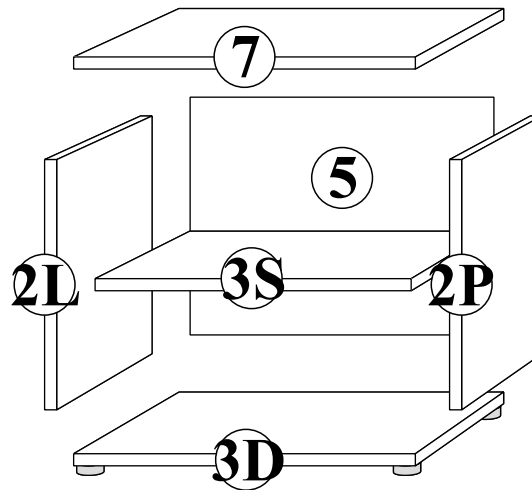
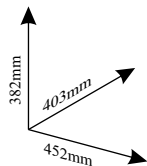
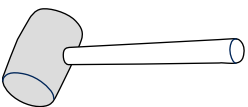
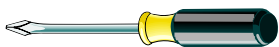
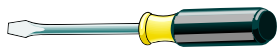
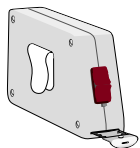
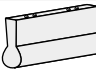
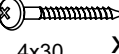
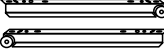
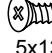
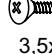



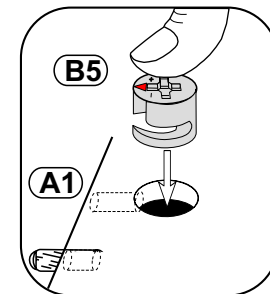
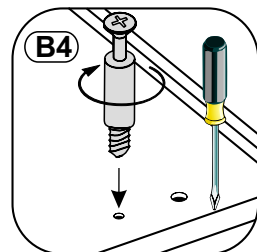
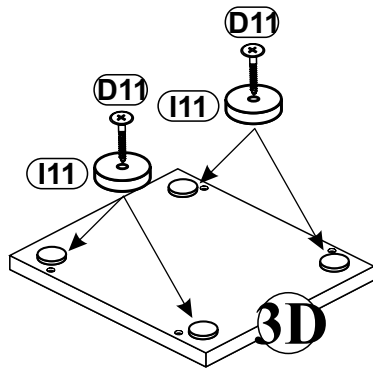
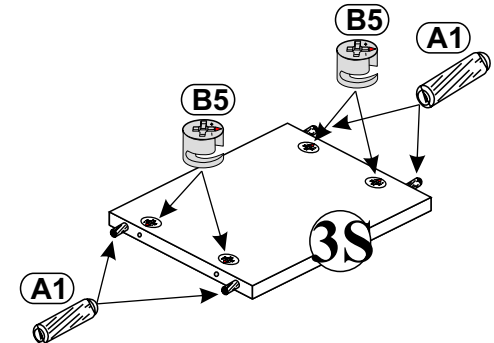
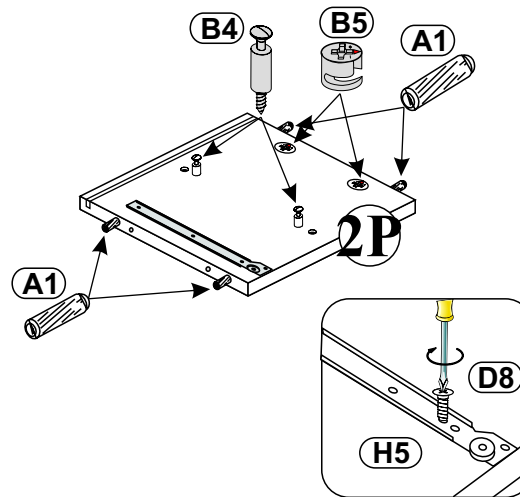
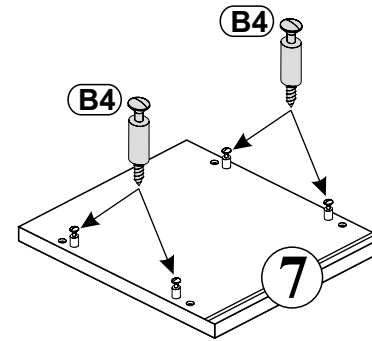
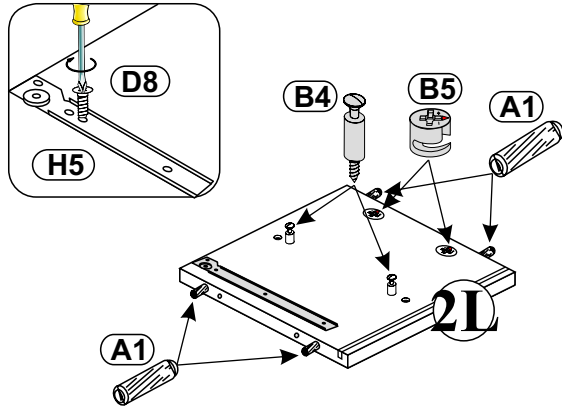
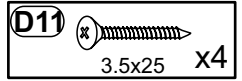
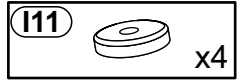
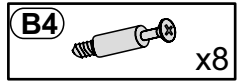
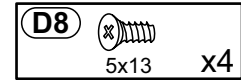
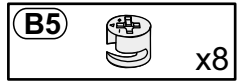
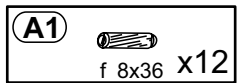
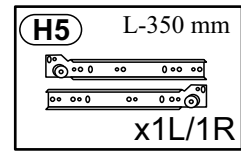


1 2 3 4 5

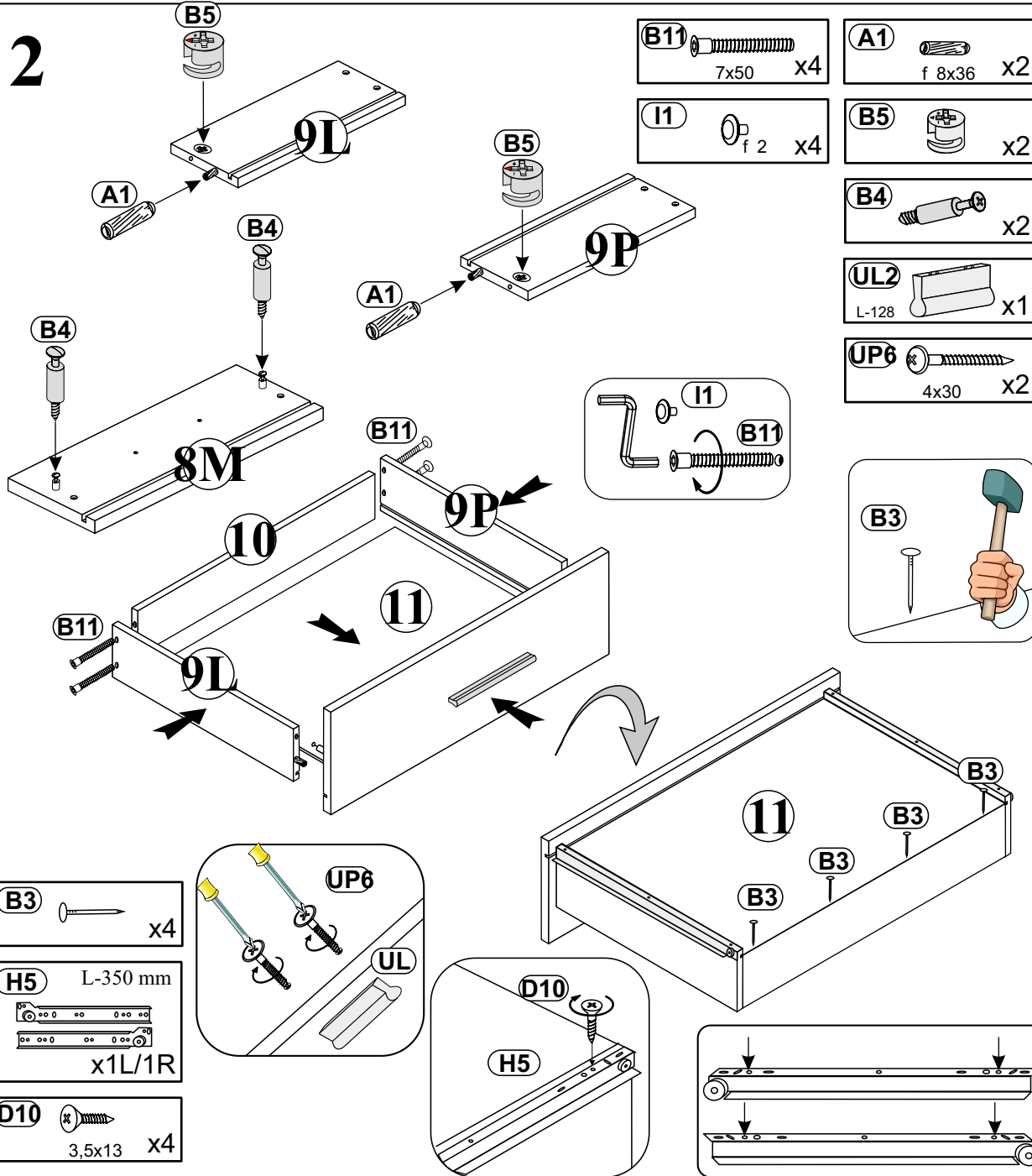


- | | | |
|-----------------------|---|-------------------------|
| UL2
L-128 |  x1 | A1
f 8x36 x14 |
| UP6 |  4x30 x2 | B5
x10 |
| H5
L-350 mm |  x1L/1R | B4
x10 |
| D8 |  5x13 x4 | G5
#15 x10 |
| D10 |  3,5x13 x4 | S1
x4 |
| I11 |  x4 | B11
7x50 x8 |
| G2
S-4 |  x1 | I1
f 2 x8 |
| D11 |  3.5x25 x4 | B3
x4 |

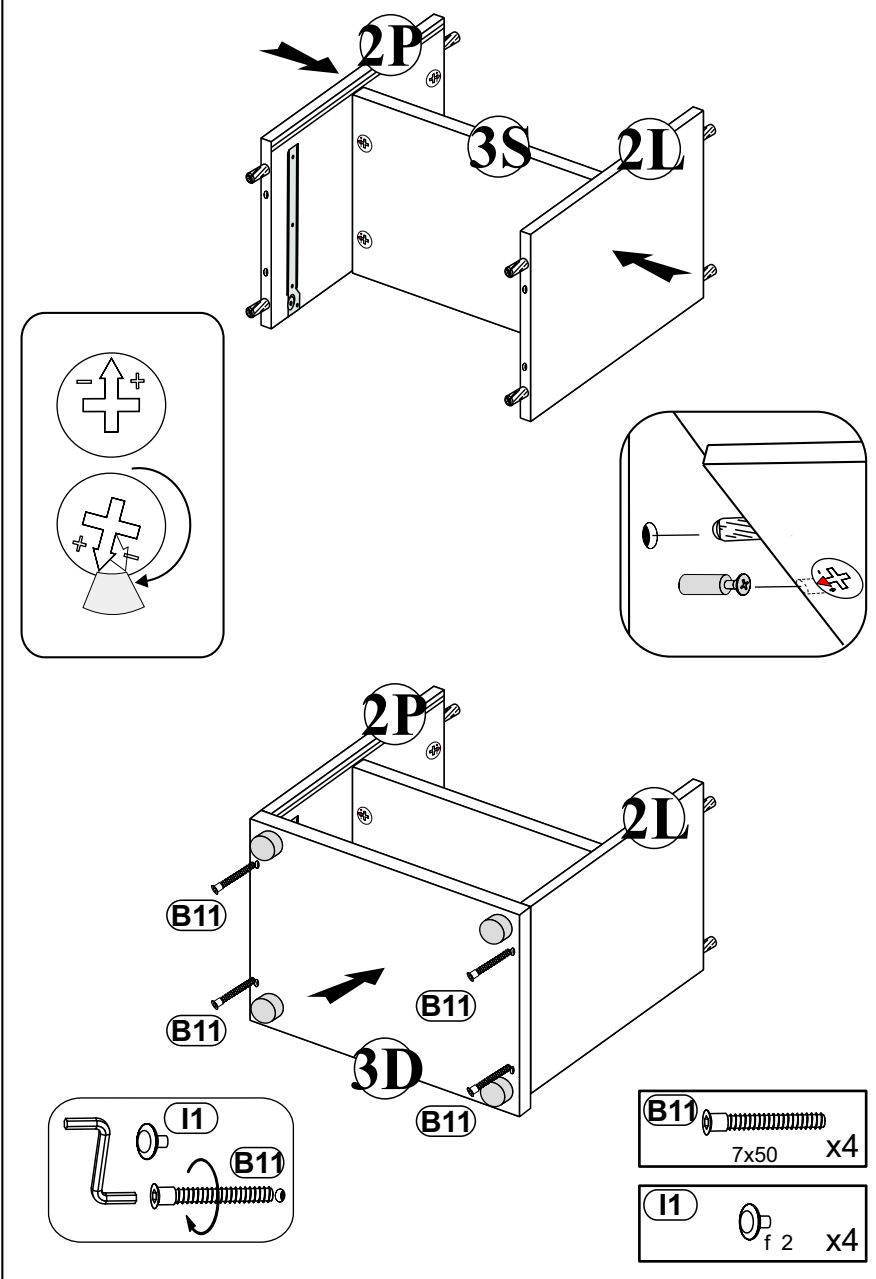
1




2





3





B3  x4


H5 L-350 mm
x1L/1R


D10  x4
3,5x13

B11  x4
7x50


A1  x2
f 8x36

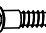
I1  x4
f 2


B5  x2

B4  x2

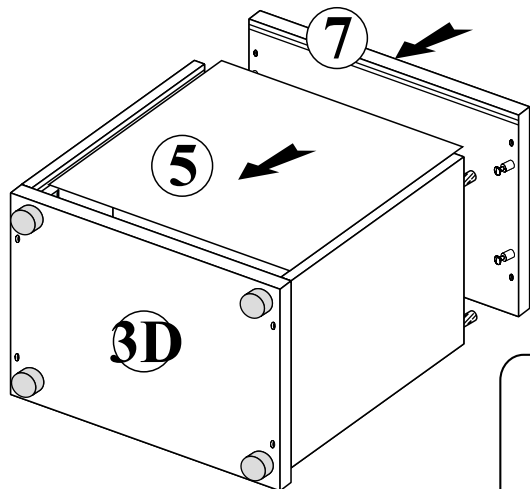
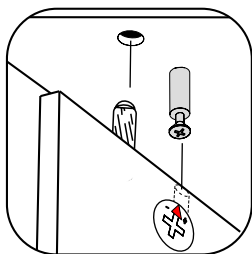
UL2 L-128 x1

UP6  x2
4x30

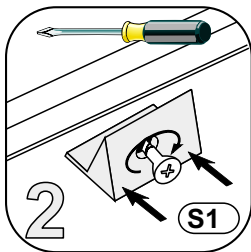
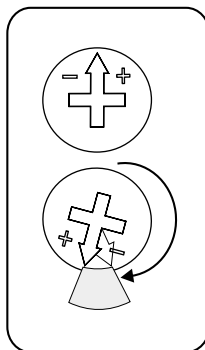
B11  x4
7x50

I1  x4
f 2

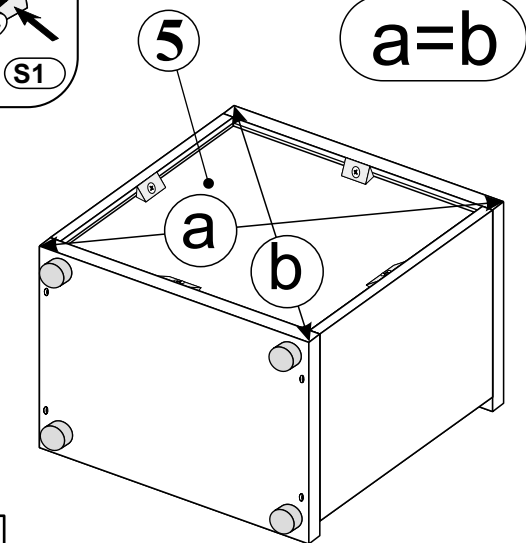
4



3D



2

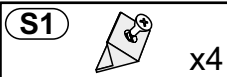
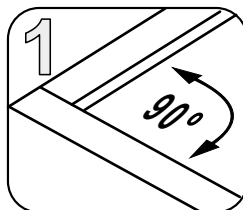


a=b

5

a

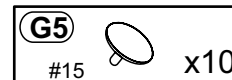
b



S1

x4

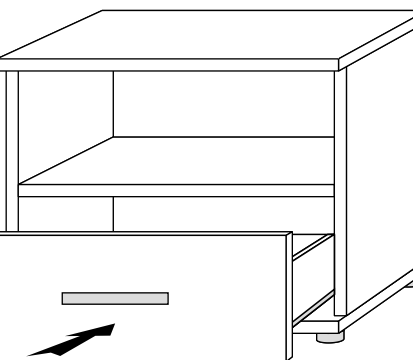
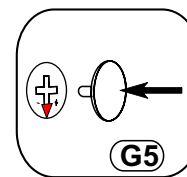
5



G5

#15

x10



8M

